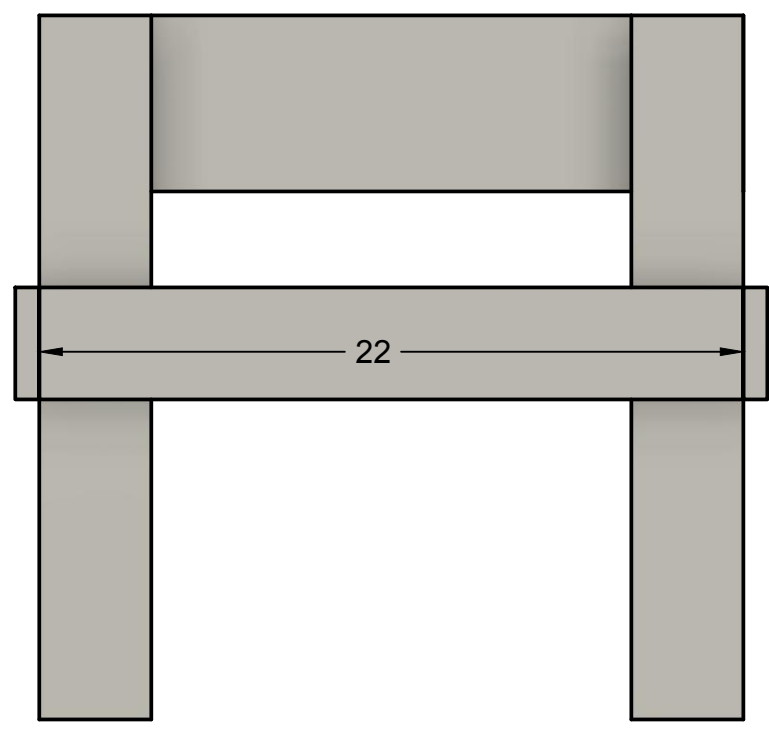
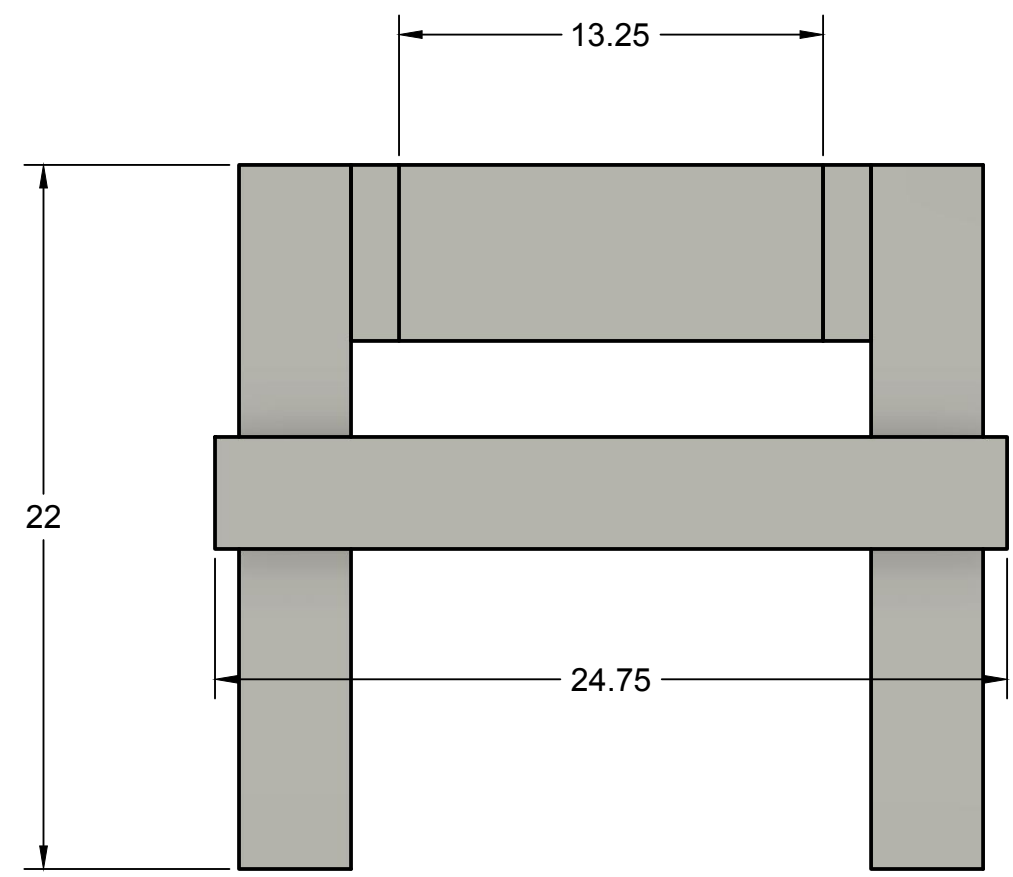
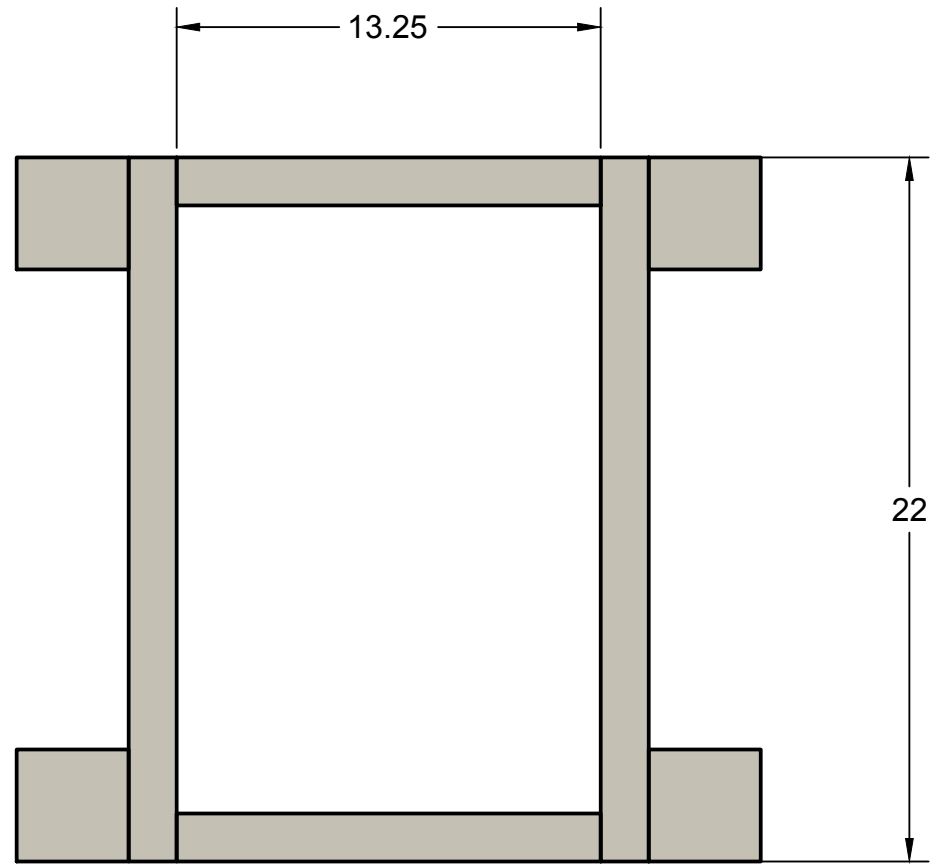


| PARTS LIST | | | | |
|------------|-----|-------------|---------------|----------------|
| ITEM | QTY | PART NUMBER | DESCRIPTION | MATERIAL |
| 1 | 1 | 2X6X22 | 22X5.5X1.5 | PINE, SOUTHERN |
| 2 | 1 | 2X6X22-2 | 22"X5.5"X1.5" | PINE, SOUTHERN |
| 3 | 1 | 2X6X13 | 13"X5.5"X1.5" | PINE, SOUTHERN |
| 4 | 1 | 2X6X13 (1) | 13"X5.5"X1.5" | PINE, SOUTHERN |
| 5 | 1 | 1X4X24 | 24"X3.5"X.75" | PINE, SOUTHERN |
| 6 | 1 | 1X4X22-1 | 22"X3.5"X.75" | PINE, SOUTHERN |
| 7 | 1 | 1X4X22-002 | 22"X3.5"X.75" | PINE, SOUTHERN |
| 8 | 1 | 1X4X24 (1) | 24"X3.5"X.75" | PINE, SOUTHERN |
| 9 | 1 | LEGS | 22"X3.5X3.5" | PINE, SOUTHERN |

| | | | | |
|----------|-------------|--------------|-----------|--------|
| | | PROJECT | | |
| | | Stand | | |
| | | TITLE | | |
| | | Stand | | |
| APPROVED | SIZE | CODE | DWG NO | REV |
| CHECKED | B | | | |
| DRAWN | John Eberle | 7/17/2018 | SCALE 1:6 | WEIGHT |
| | | | SHEET 1/2 | |



| | | | | |
|----------|-------------|-------------------------|-----------|--------|
| | | PROJECT Stand | | |
| | | TITLE Stand | | |
| APPROVED | SIZE | CODE | DWG NO | REV |
| CHECKED | B | | | |
| DRAWN | John Eberle | 7/17/2018 | SCALE 1:6 | WEIGHT |
| | | | SHEET 2/2 | |